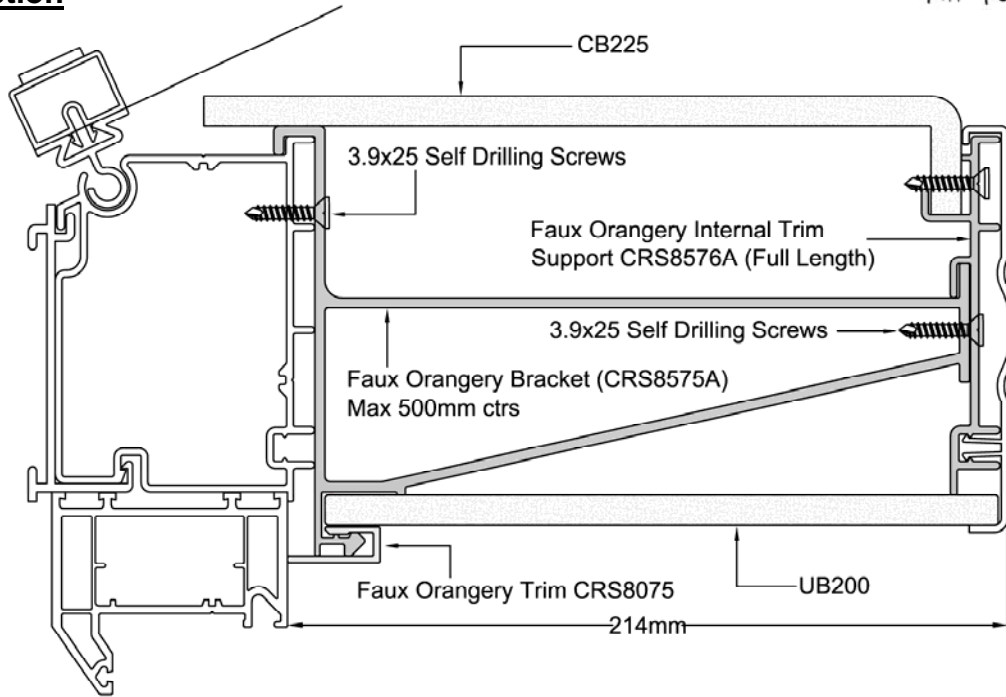


Faux Orangery Installation Notes



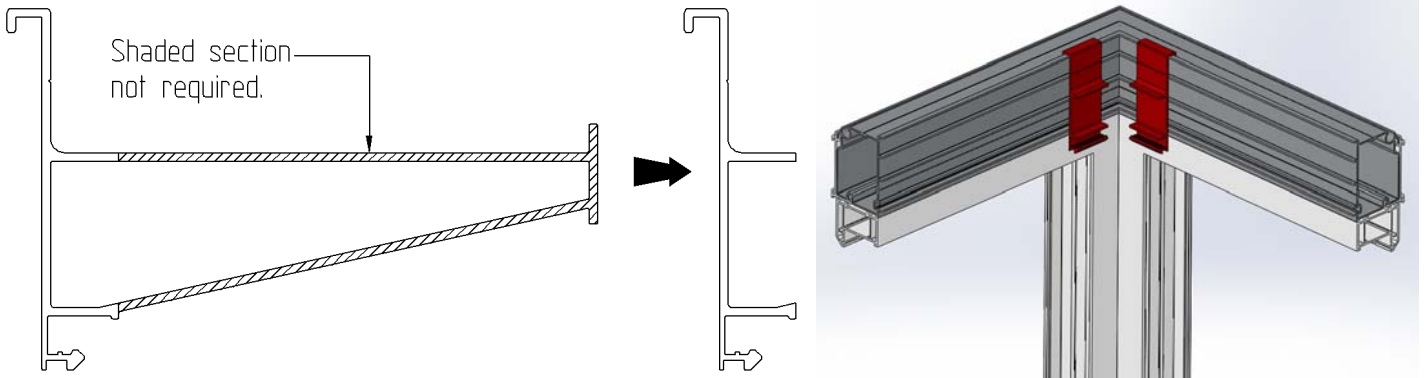
All together better

Cross Section

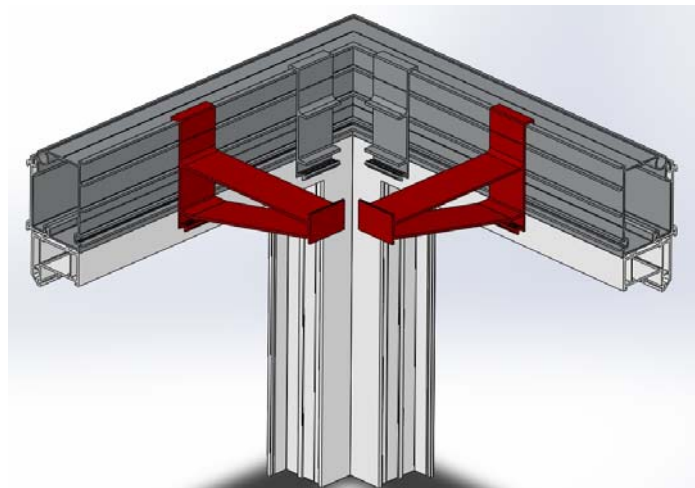
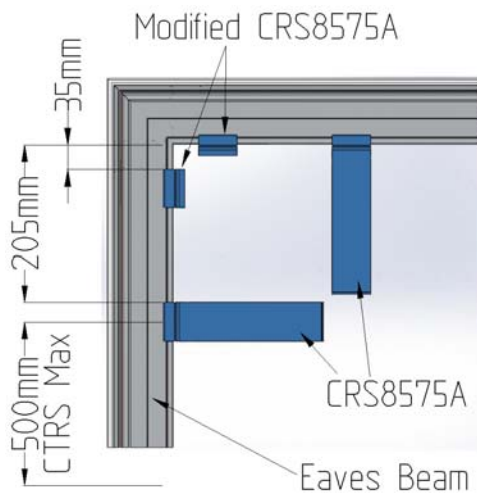


Installation Notes

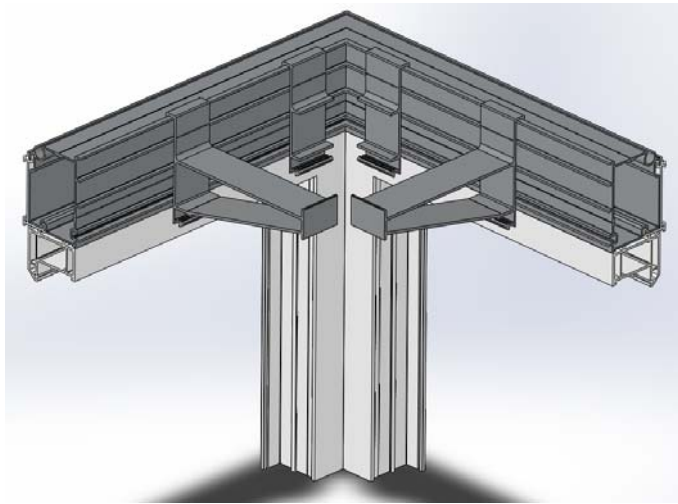
- Faux Orangery Brackets (CRS8575A) should be positioned every 300 to 500mm centres.
- In Internal corners, 2 off CRS8575A Brackets need to be modified as shown below.



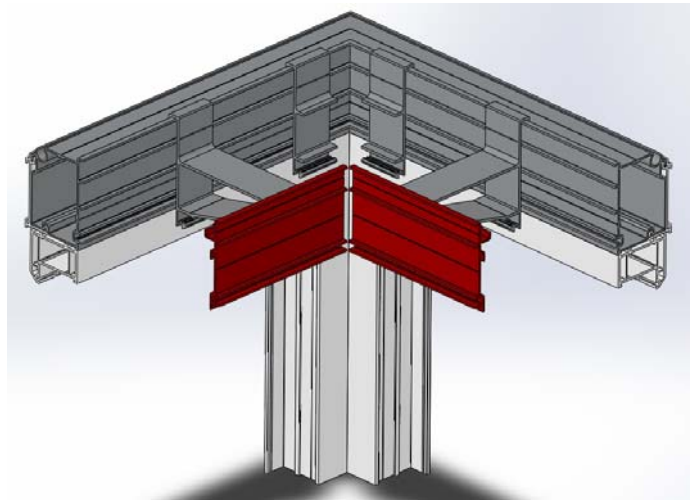
- The Positioning of the Brackets in the corners should be as follows.



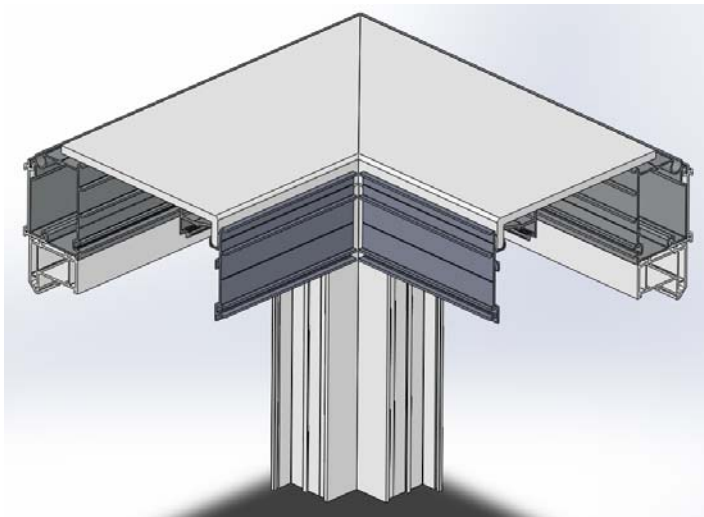
Once all brackets are in place screw them into position using 4.8 x 16(Min) self drilling screws.



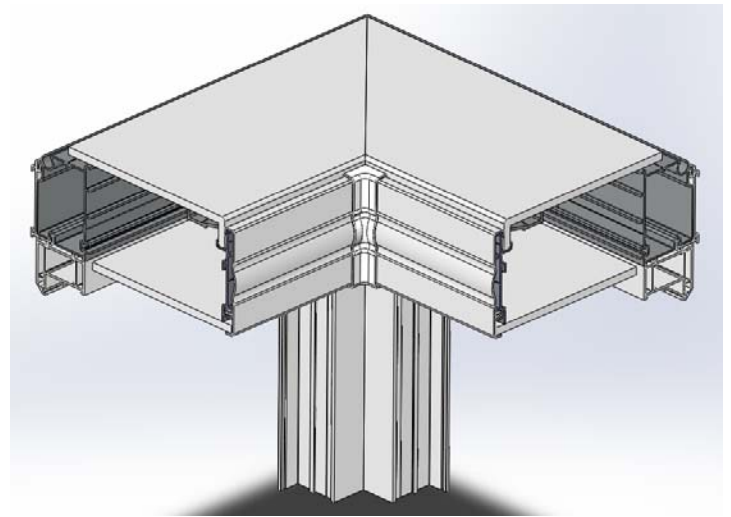
Locate the Internal Trim Support (CRS8576A) and screw into place using 4.8x16 self drilling screws.



Locate the CB225 Capping board and screw into position.



Offer up the UB200 under cladding and clip the Ring Beam Internal Trim into place.



Clip into position the Faux Orangery Trim. The corners can be either mitred or square cut.

